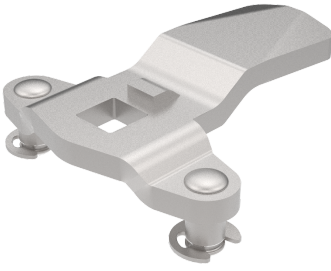


VISION-TREPUNKTSREGLAR, STÅL



Trepunktsreglar med knaster för svänghandtag. Slag: 20 mm. E-clips medföljer. I ritningen och tabellen nedan är A insidan mot regelns ingreppspunkt.

MATERIAL

Regel: Stål, förzinkad

RELATERADE PRODUKTER

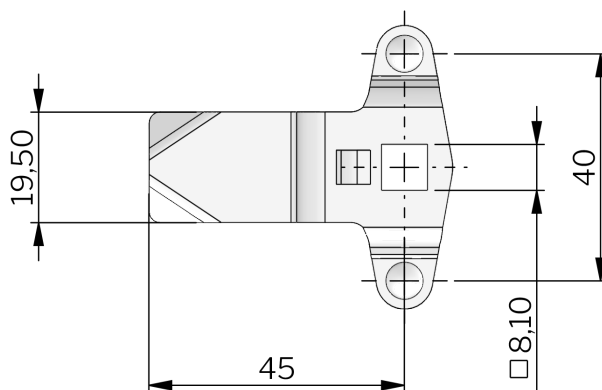
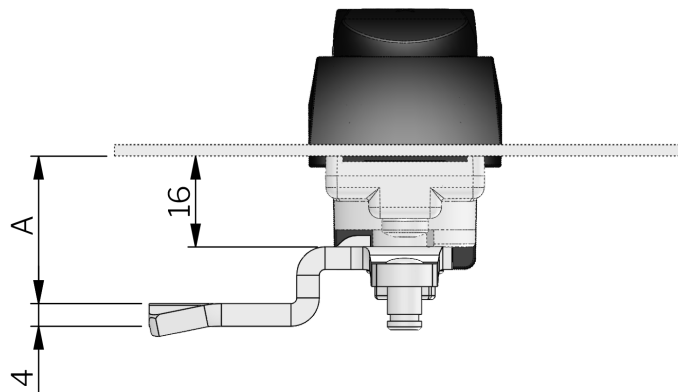
Liknande produkter: 1-008.51

Other materials: 1-008.51

Use the Index Code at [industrilas.com](https://www.industrilas.com)

TESTS & STANDARDS

Please note that all cams with dimension A is less than 16 mm can only be used in combination with swing handles (see product ID 1-010 and 1-020).



Artikelnummer	Beskrivning	Material	A
2321S01P	3-point cam	Stål	2
2321S02P	3-point cam	Stål	4
2321S03P	3-point cam	Stål	6
2321S04P	3-point cam	Stål	8
2321S05P	3-point cam	Stål	10
2321S07P	3-point cam	Stål	12
2321S08P	3-point cam	Stål	14
2321S09P	3-point cam *	Stål	16
2321S10P	3-point cam	Stål	18
2321S11P	3-point cam	Stål	20
2321S12P	3-point cam	Stål	22
2321S14P	3-point cam	Stål	24
2321S15P	3-point cam	Stål	26
2321S16P	3-point cam	Stål	28
2321S17P	3-point cam	Stål	30
2321S18P	3-point cam	Stål	32
2321S20P	3-point cam	Stål	34
2321S21P	3-point cam	Stål	36
2321S22P	3-point cam	Stål	38
2321S23P	3-point cam	Stål	40
2321S24P	3-point cam	Stål	42
2321S27P	3-point cam	Stål	48
2321S28P	3-point cam	Stål	46
2321S29P	3-point cam	Stål	44

* Art.nr 2321S09P är med rak regel.